

Installation Manual

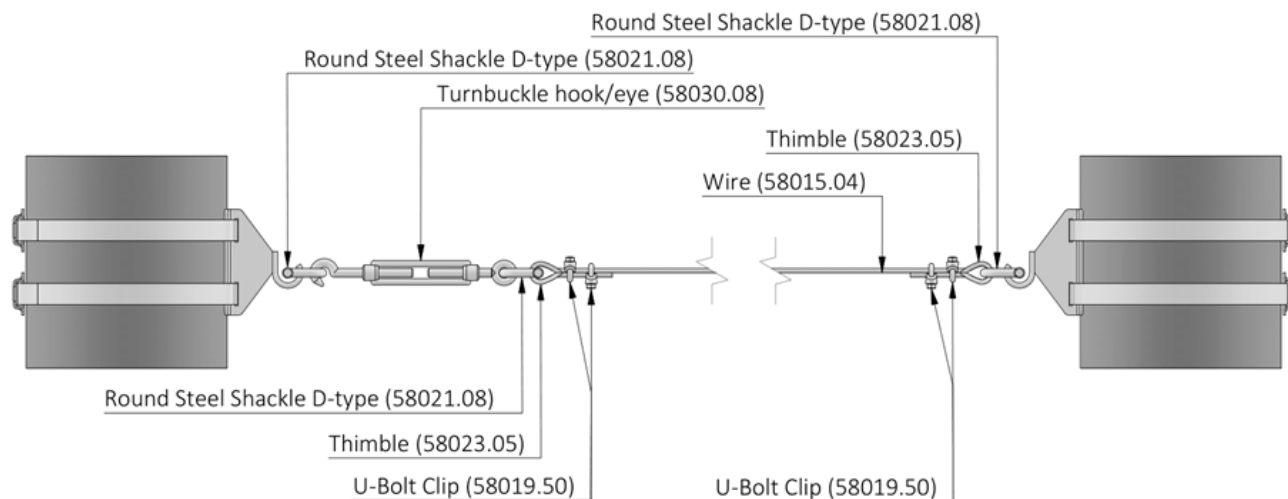
WIREROPE OVER THE STREET



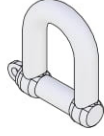
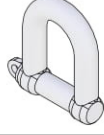

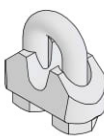


ADAMLIGHTS[®]

INSPIRED BY NORTHERN LIGHTS

Product fixture parts



Part name:	Picture	Item code:	Quantity per one motif:	Total quantity:
Turnbuckle hook/eye DIN 1480 M6		58030.06		
Turnbuckle hook/eye DIN 1480 M8		58030.08		
Round Steel Shackle D-type M5		58021.05		
Round Steel Shackle D-type M8		58021.08		
Thimble DIN 6899B M5		58023.05		
U-Bolt Clip DIN 741 5 mm		58019.50		

Installation Manual

WIREROPE OVER THE STREET



ADAMLIGHTS®

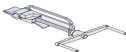



INSPIRED BY NORTHERN LIGHTS

Part name:	Picture	Item code:	Quantity per one motif:	Total quantity:
U-Bolt Clip DIN 741 6 mm		58019.60		
Snap Hook DIN 5299 C 60 x 6 mm		58050.50		
Snap Hook DIN 5299 C 80 x 8 mm		58051.50		
SOT29 Carrying hook 16 mm		58026.50		
Wire 3 mm		58015.03		
Wire 4 mm		58015.04		
Metal banding 25 m		58005.50		
Metal buckle		58006.50		

Installation Manual

WIREROPE OVER THE STREET

Product fixture parts are shown in the table below:

Tool name	Picture	Item code:	Total quantity
Fixation tool		58009.50	
Hammer		-	
Wire cutters		-	
Ratchet tool 7mm and 8mm		-	

Installation Manual

WIREROPE OVER THE STREET



ADAMLIGHTS®

INSPIRED BY NORTHERN LIGHTS

IMPORTANT NOTICE

Before handling or installing the product make sure to carefully read the whole manual!

STEP 1

For wrapping application the banding needed is approximately 3,5 times the pole diameter and additional 150 to 200 mm.

Take an appropriate length of metal banding (58005.50) and insert the end of the banding into the buckle (58006.50) through the bridge and past the ears. Leave 50 to 75 mm of banding extending past the buckle. (Figure 1 and Figure 2)

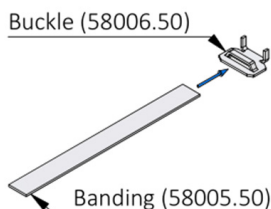


Figure 1 - Step 1.1

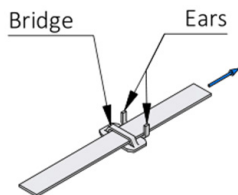


Figure 2 - Step 1.2

Bend the extended banding end around and underneath the buckle. (Figure 3)

Squeeze the bend to flatten it out. This will fix the banding to the buckle and prevent the banding pulling out during tensioning. (Figure 4)

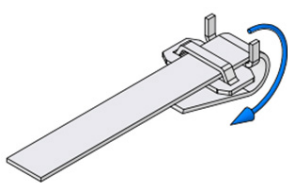


Figure 3 - Step 1.3

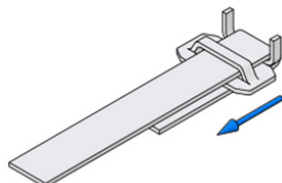


Figure 4 - Step 1.4

STEP 2

Run the prepared bands through the carrying hook (58026.50). (Figure 5 and Figure 6)



Figure 5 - Step 2.1

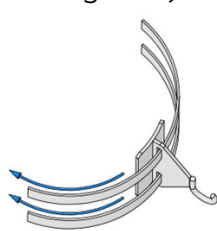


Figure 6 - Step 2.2

STEP 3

Move the carrying hook (58026.50) to a suitable location on the pole and wrap the first banding strap around the pole. Pull the end of the banding strap through the bridge of the metal buckle (58006.50). (Figure 7)

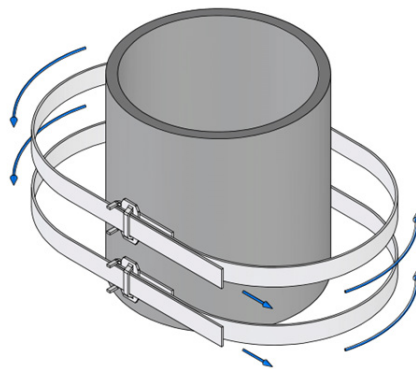


Figure 7 - Step 3

STEP 4

Bend remaining banding strap 90° so that it is perpendicular to the buckle. (Figure 8)

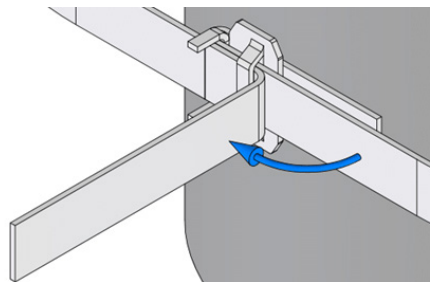


Figure 8 - Step 4

Repeat the steps 3 and 4 until other carrying hooks (58026.50) are loosely affixed to the pole with both banding straps.

Installation Manual

WIREROPE OVER THE STREET



ADAMLIGHTS®

INSPIRED BY NORTHERN LIGHTS

STEP 5

Open the grip latch and bring the fixation tool in line with the excess strapping. Fit the banding strap into the slot in the tool nose and gripper block. (Figure 9)

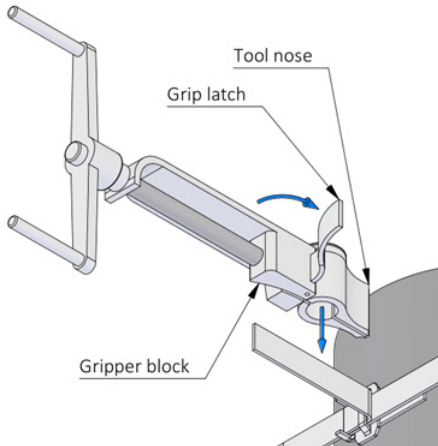


Figure 9 - Step 5

STEP 6

While pressing down on the grip latch with your thumb, turn the handle clockwise to create tension. (Figure 10)

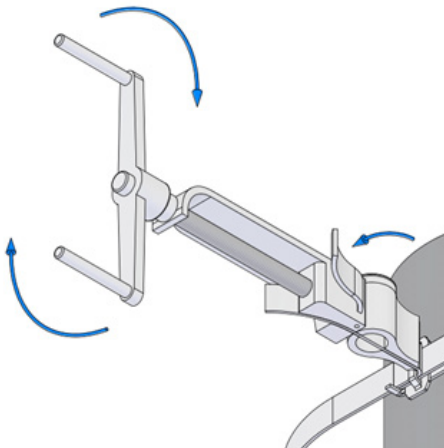


Figure 10 - Step 6

Before you fully tighten the banding straps, make sure the carrying hooks are in the correct position.

STEP 7

Continue turning the handle in a clockwise direction. When banding stops moving through the buckle it has achieved maximum tension and you must stop turning the handle. (Figure 11)

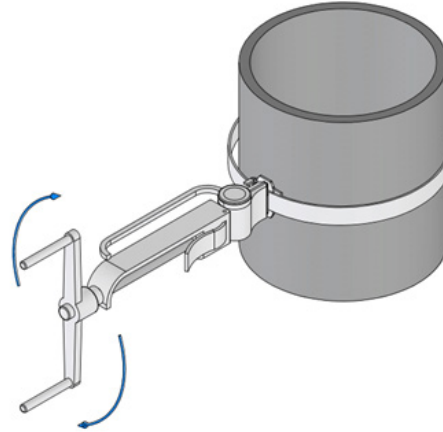


Figure 11 - Step 7

STEP 8

Roll the entire tool over the buckle 90°. (Figure 12)

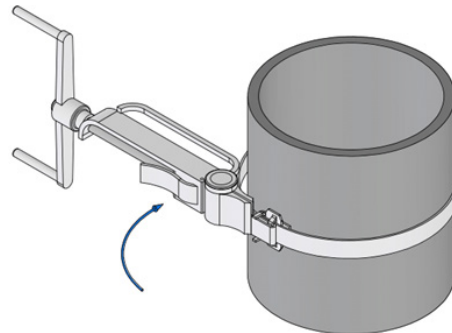


Figure 12 - Step 8

As you roll the tool, you may need to relieve a bit of tension by rotating the handle counterclockwise a bit. Be careful not to relieve too much tension or this will result in a loose clamp.

Installation Manual

WIREROPE OVER THE STREET



ADAMLIGHTS®

INSPIRED BY NORTHERN LIGHTS

STEP 9

Pull the cutting handle to cut the banding. Discard the cut-off banding and remove the fixation tool. (Figure 13)

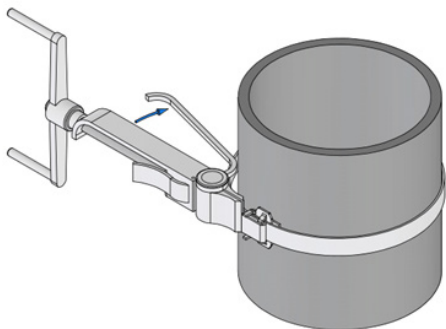


Figure 13 - Step 9

STEP 10

Using the hammer, press remaining branding stub down over the buckle, making sure it falls between the buckle ears. Then hammer the ears down, locking the banding strap in place. (Figure 14 and Figure 15)

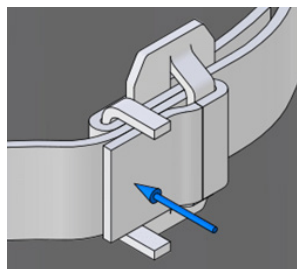


Figure 14 - Step 10.1

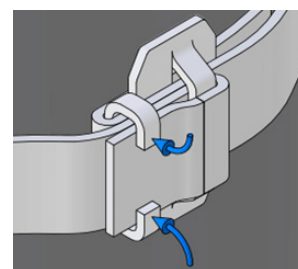


Figure 15 - Step 10.2

STEP 11

Attach the other carrying hooks (58026.50) using the same methods, making sure that it is placed in the correct position. (Figure 16)

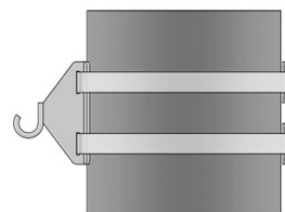
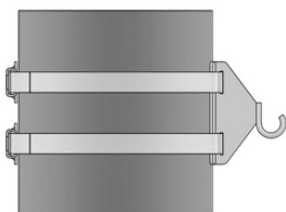


Figure 16 - Step 11

STEP 12

Take all wire parts shown below and connect the wire between both carrying hooks. (Figure 17)

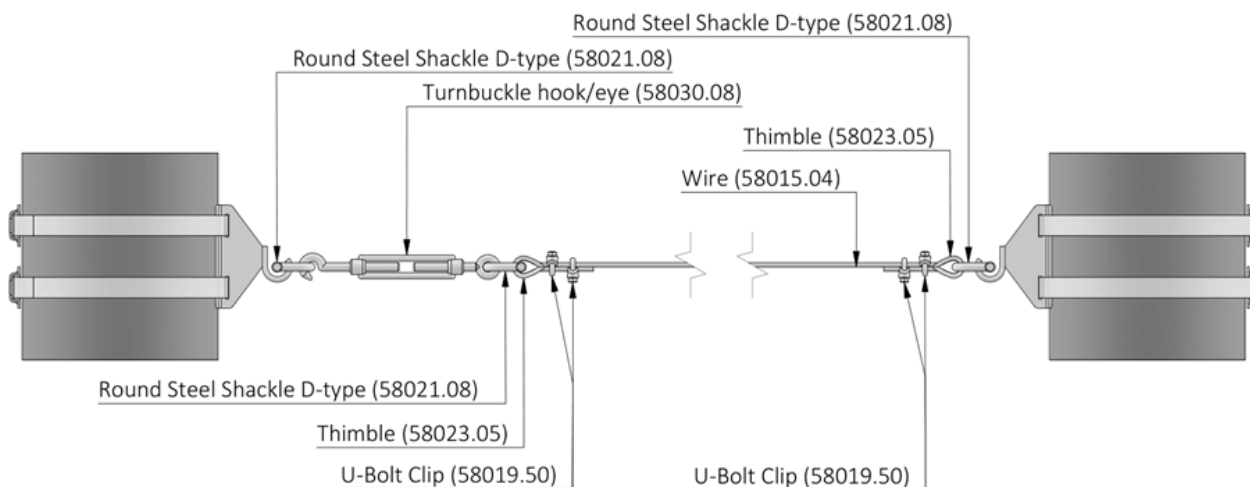


Figure 17 - Step 12

Installation Manual

WIREROPE OVER THE STREET

Give tention to the wirerope using the turnbuckle. Make sure all U-bolt clips, buckles etc are tight and safe.

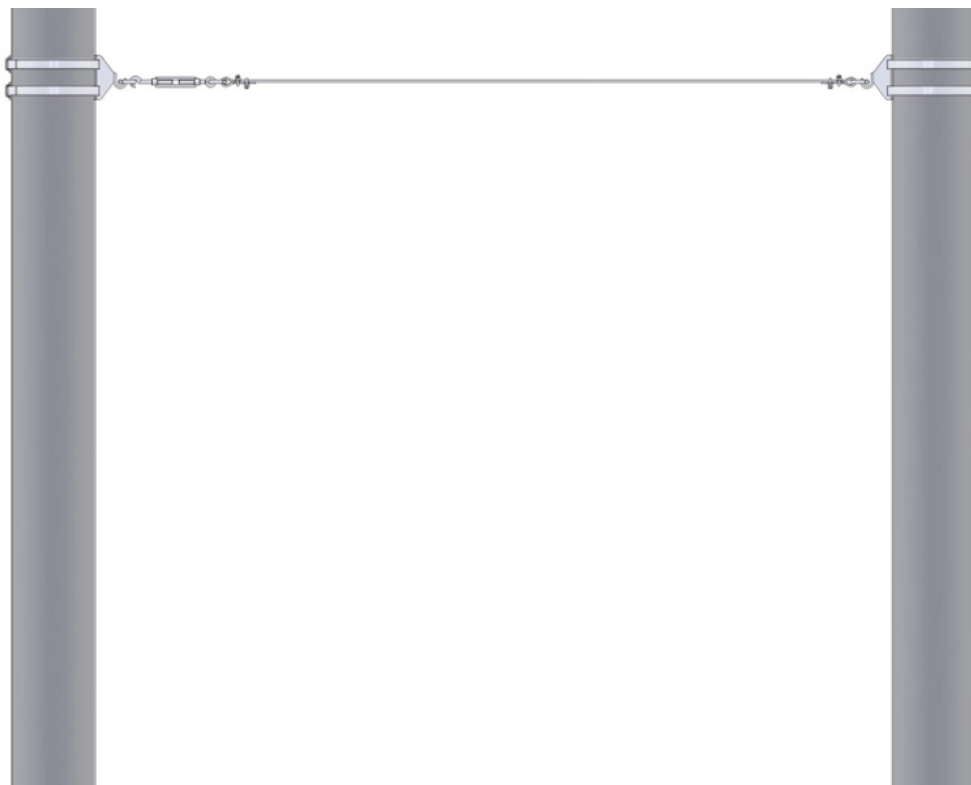


Figure 18 - Fixed motif

Installation Manual

WIREROPE OVER THE STREET



ADAMLIGHTS®

INSPIRED BY NORTHERN LIGHTS

General information

This instructions manual (Original instructions) gives an overview of the WIREROPE OVER THE STREET MOTIF. The manual includes information about the manufacturer, intended use, installation, handling and maintenance of the product.

To get familiar with the product, we insist that you read our instructions very carefully, even if you have worked with a similar product before. These instructions contain information that is essential to ensure safety and efficiency when working with the product.

When receiving the product, make sure that it is not damaged during shipping or transportation. If you notice any damage or lack of parts, please contact the manufacturer immediately.

Any questions regarding the product or its working principle should be directed to the manufacturer. Reading and understanding the content of this manual is mandatory to anyone performing maintenance, installing or handling the product.

When handling, maintaining and installing the product and its various parts, all applicable national laws, regulations, and the contents of this manual must be taken into account to ensure the safety and reliability of the equipment.

During the handling and maintenance of the product, personal protective equipment must be used. Use of at least work gloves, safety boots and safety helmet is required.

Additional protective equipment must be used if the need arises.

When working with tools or machines producing large amount of noise, appropriate noise protection equipment must be used.

When using a ladder or a lift to install the product, the personell must have necessary training and qualifications to use the work equipment.

During installation the safety of the personell and bystandards must be ensured.

Before making any electrical connections make sure that installation process has been done correctly. Make sure there are not any dents or irregularities to the product, fixtures or electrical wires.

All installation steps must be followed exactly and in the correct order.

During maintenance make sure that visual assessment does not reveal any excessive wear of the components.

All maintenance must be carried out by persons with the appropriate skill and technical competence. Changing the construction of the product, adding or removing parts is only allowed after consulting with the manufacturer.

During utilization all structural and electrical parts must be separated by material and brought to the appropriate reveiving point.

The product must only be used for the operations intended for it. It is strictly forbidden to use the product for non-intended operations or uses.

Following the manual is a requirement to ensure that the factory warranty remains.

Ignoring safety instructions and requirement can result in damage of the users' health and/or bodily injury.

Manufacturer
ADAMLIGHTS AS
Järvevana tee 9, 11314 Tallinn, Estonia
sales@adam.ee
+372 6501830
www.adam.ee